



Designers' Choice

9 VOLT STRAPS & CONNECTORS

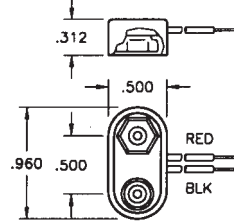
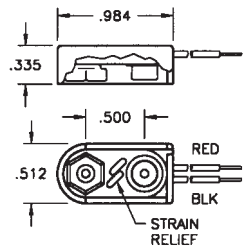
SHIELDED 9 VOLT BATTERY STRAPS

- Insulates and shields 9 Volt battery snap-on connector contacts
- Assures safe secure use, reduces the potential of short circuits and prevents tampering with battery contacts
- Protects circuits, prevents unwanted electrical discharge due to unintended grounding
- Protects battery contacts from dust, dirt, and physical damage
- Ideal for rugged applications, made of high impact molded plastic with integral wire lead strain relief



SPECIFICATIONS

Base: Polypropylene
 Male/Female Contacts: Brass, Nickel Plate
 Wires (Red & Black): #26AWG, Tinned, .187 end strip, UL/CSA1007



CAT. NO.	*LEAD LENGTH
84-4	4.00
84-6	6.00
84-8	8.00

I - STYLE

CAT. NO.	*LEAD LENGTH
81-4	4.00
81-6	6.00
81-8	8.00

T - STYLE
with Strain Relief

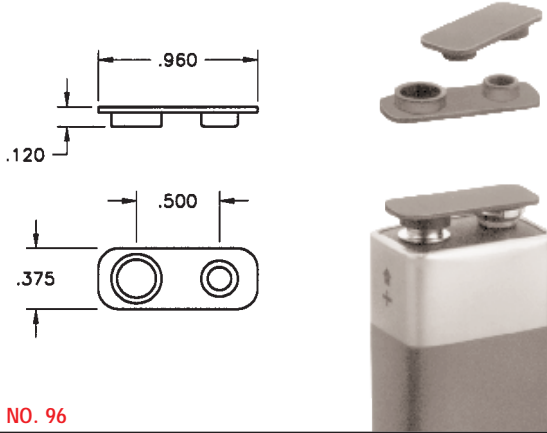
*Tolerance on lead length +/- .250

*Tolerance on lead length +/- .250

PROTECTIVE BATTERY CAP

- Protects 9 Volt batteries and battery packs when they are not in use
- Snap-fits onto battery contacts
- Both male and female contacts are covered, minimizing physical damage which can occur during battery handling, shipping and storage
- Shields the battery contacts and reduces the potential of a short circuit between battery poles
- Protects sensitive electronic equipment, systems and circuits, cap prevents unwanted electrical discharges
- Protects the battery contacts from damage due to dust, dirt and contamination

MATERIAL: Impact Resistant Polypropylene, Black



CAT. NO. 96

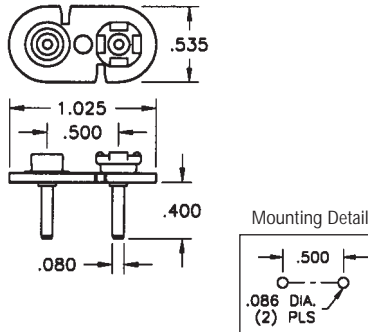
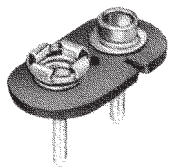
BATTERY SNAP-ONS (Miniature and Standard)

For most electronic applications requiring a quick connect and disconnect of circuit. Commonly used with 9 Volt or other batteries designed with snap fasteners. Ideal for temporary or permanent means of connecting without soldering. Can be cascaded together for multiple connections.

DIMENSIONS FOR REFERENCE ONLY

VERTICAL 9 VOLT PC SNAP-ONS

- Space saving, economical
- Excellent mechanical strength
- Low contact resistance
- Durable fibre base
- Wave solderable
- Anti-Wicking Design

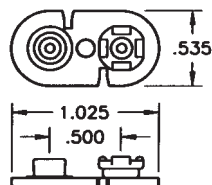


SPECIFICATIONS

Base: .062 Fibre
 Contacts: Steel, Nickel Plate
 Pins: Brass, Tin Plate

CAT. NO. 968 - With PC Pins

- Cost saving design
- Ideal for custom applications
- Attach your own terminals and wire leads

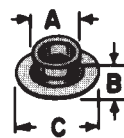


SPECIFICATIONS

Base: .062 Fibre
 Contacts: Steel, Nickel Plate

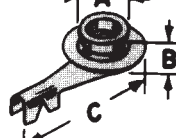
CAT. NO. 68 - Without PC Pins

FIG. 1



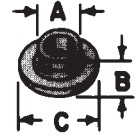
Stud only

FIG. 3



Stud w/Crimp Lugon

FIG. 5



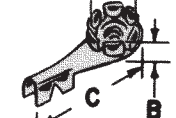
on Phenolic Washer

FIG. 2



Socket only

FIG. 4



Socket w/Crimp Lugon

FIG. 6



on Phenolic Washer

CAT. NO.	FIG. NO.	A	B	C	DESCRIPTION
261	1	.225	.135	.312	Jr. Stud only-.093 hole
262	1	.283	.143	.425	Sr. Stud only-.125 hole
269	2	.205	.156	—	Jr. Socket only-.093 hole
270	2	.265	.156	—	Sr. Socket only-.125 hole
263	3	.225	.170	.790	Jr. Stud w/ Lug
264	3	.283	.185	.840	Sr. Stud w/ Lug
271	4	.205	.200	.790	Jr. Socket w/ Lug
272	4	.265	.185	.835	Sr. Socket w/ Lug
265	5	.225	.205	.500	Jr. Stud on Phenolic Washer
266	6	.205	.205	.500	Jr. Socket on Phenolic Washer
273	5	.283	.200	.500	Sr. Stud on Phenolic Washer
274	6	.265	.225	.500	Sr. Socket on Phenolic